

Meets Latest MOPS/TSOs
Complies with EASA's 25 Hour CVR Mandate

KAPTURE™

Cockpit Voice and Flight Data Recorders

Quick Downloads and Field-Loadable Software Updates
Increased Reliability and High MTBF
Lithium-Free 90 Day ULB



Sixth Generation Recorders

The KAPTURE line of Cockpit Voice and Flight Data Recorders (CVR/FDR) includes five lightweight and compact model options, providing a customized recording solution for your aircraft. Available models include a CVR, FDR, and combination Cockpit Voice and Flight Data Recorder (CVFDR). Each model features a lithium-free 90 day Underwater Locator Beacon (ULB), and the CVR and CVFDR models offer a patented all-inclusive, internal Recorder Independent Power Supply (RIPS) option.

UA's sixth generation of recorders include all the features and benefits of the company's previous CVR/FDR product line with reduced weights, plus many improvements and enhanced capabilities.

With its increased cockpit voice and ambient audio recording capability of over 25 hours, the CVR and CVFDR models meet EASA's mandate which requires all aircraft with an MTOW of 59,500 lbs. first issued with an individual CoFA on or after January 1, 2021, to be equipped with a 25 hour CVR. Recorded playback is proven to be clear and audible. The CVR and CVFDR models also provide over 25 hours of non-audio recording such as UTC, rotor speed, and data link messaging, while the FDR offers over 90 hours of recording ARINC 717 data and at least 25 hours of ARINC 429 data, allowing for expanded integration capabilities.

A new, versatile Flight Archive Ground Maintenance Tool allows for faster downloads and field-loadable software updates. Paired with improved download speeds from the CVR/FDR itself, and removing the need for a Quick Access Recorder (QAR), operators gain significant savings in time and maintenance costs.

The KAPTURE line of CVR/FDR offers the utmost in reliability with high Mean Time Between Failure (MTBF) and is backed by UA's world-renowned customer support. The line is designed for operators seeking a recording solution that meets all of the latest certifications and requirements, including MOPS ED-112A compliance, for the freedom to fly in airspace around the world.

KAPTURE™

COCKPIT VOICE & FLIGHT DATA RECORDERS

UNIVERSAL™ AVIONICS
an *Elbit Systems* Company

The KAPTURE CVR/FDR meet the following qualifications:

- TSO-C123c, Cockpit Voice Recorder Systems
- TSO-C124c, Flight Data Recorder Systems
- TSO-C155b, Recorder Independent Power Supply
- TSO-C177a, Data Link Recorder Systems
- EUROCAE ED-112A, Minimum Operational Performance Specification for Crash Protected Airborne Recorder Systems
- DO-160G (Rotorcraft and fixed wing vibration)
- DO-178C, Level D
- RTCA/DO-254 DAL D

Specifications

KAPTURE CVR/FDR Product Models

- CVFDR-1650 (Combined CVR and FDR unit)
- CVFDR-1650R (Combined CVR and FDR unit with embedded RIPS)
- CVR-1651 (Baseline CVR)
- CVR-1651R (CVR with embedded RIPS)
- FDR-1652 (Baseline FDR)

Visit uasc.com/recorders to learn more about UAs full line of CVR/FDR, including available fifth generation models.

Hardware

- Size: Height 6.1 in.
- Width 4.9 in.
- Depth 8.0 in.
- Weight: 8.0 lbs. with RIPS
- 7.4 lbs. without RIPS
- Power: 28 VDC/115 VAC
- Mounting: Circular connector, bolt-down mount

Cockpit Voice Recording

- Over 25 hours of cockpit voice and ambient audio
- Over 25 hours of non-audio (UTC, rotor speed, data link messaging)

Flight Data Recording

- ARINC 717
- Over 90 hours of flight data storage
- ARINC 429
- Two inputs
- At least 25 hours of flight data storage

Voice/Data Stored In Solid-State Flash Memory

Recorder Independent Power Supply (RIPS)

- Optional internal non-battery backup power allows the CVR/CVFDR to record audio for 10 minutes +/- 1 minute after a power fail

Maintenance on Condition Yields Lower Cost of Ownership

- No requirement for periodic maintenance (excluding ULB)

90 Day ULB with No Lithium Batteries

- No special conditions
- No dangerous goods shipping requirements

ARINC-757 Compatible Recorded Inputs

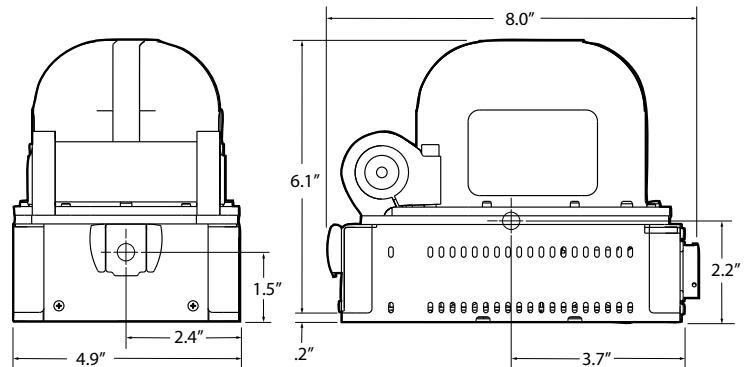
- Three crew microphones
- One area microphone
- Helicopter rotor speed
- UTC
- Data link ARINC 758

Control Unit Options

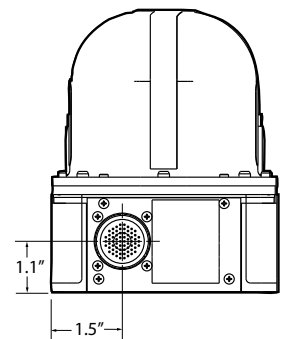
- Dzus mount or remote CCU

Test Set

- PC-based ramp testing/diagnostic



Features and capabilities are representative of systems at time of printing. Please contact your Universal Avionics sales representative for the latest system enhancements. Specifications contained herein are subject to change without notice.



Corporate Offices

3260 E. Universal Way
Tucson, Arizona 85756 USA
+1 520 295 2300 / 800 321 5253
Fax: +1 520 295 2395

Internet

uasc.com
E-mail: info@uasc.com



UASC-7-70
08-17-2020